



Σ C ◯ ◯ M ∩

Invisible and touchless switch

E C O O M S

**The touchless switches** can replace any light switch, dimmer and control for blinds, door or a home automation system. They are based on a proximity sensor that detects a hand through various materials at up to 10cm distance. They offer both unmatched design and entirely new, sophisticated, touchless operation. Just pass your hand in front of the cover plate to turn the light on and off or hold the hand in front of the cover plate to dimm the light.

We offer a variety of standard cover plates made of glass, wood, stone, ceramics and plastics. Interior designers can for the first time design their own customised cover plates and have them supplied by Ecoome, so that the plates exactly fit the needs of each project. Options include **various shapes, materials, finishings, colours, inlays, engravings and inscriptions with logos, brand names and function icons.**

Cover plates are securely held in place with magnets and can easily be replaced with cover plates of different design or removed for cleaning.

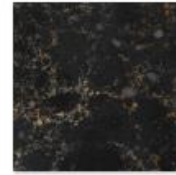
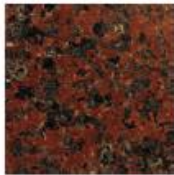
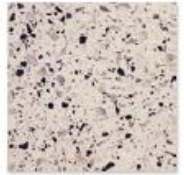


Σ C O O M Σ

**GLASS**



**STONE**

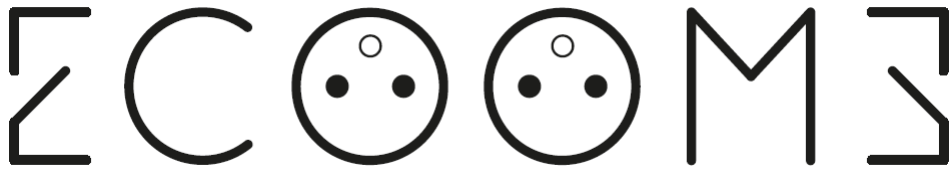


**WOOD**



**PLASTICS**





**The touchless buttons** can replace any pushbutton or switch, allow more complex functions and offer a superior design.

### **HOME AUTOMATION**

Home automation systems increase **comfort, energy efficiency and safety**. Control panels and software for mobile phones allow complex interaction and programming, but conveniently located wall mounted controls are still indispensable.

Close all blinds or turn all the lights off with one stroke. No need to walk to the control panel or start an application on your phone. The touchless buttons save time and effort. They can be installed, where you need them the most. They recognize various hand gestures and you can set your devices in a second.

At the same time, touchless buttons can be either almost invisible or improve the interior design. When a completely invisible installation is required, please check our SEM / SEZ sensor series that can be installed inside the wall.

### **BLINDS AND DOORS**

Move your hand up to raise the blinds, down to lower them and stop them with one quick move. Move your hand sideways to control the door. A much more sophisticated way than pressing pushbuttons.



Σ C O O M Σ



# Σ C O O M Σ

## TRULY UNIVERSAL DIMMERS

Brightness does not come in only two steps, on and off. If one can precisely adjust the volume of the speakers and the temperature in the room, then the same should apply to lighting. Achieving the perfect brightness for daily activities not only increases life quality, it also saves energy. Rarely one needs all the lamps on at full power.

Traditional incandescent lamps were easy to dim. LED lamps require high-tech solutions.

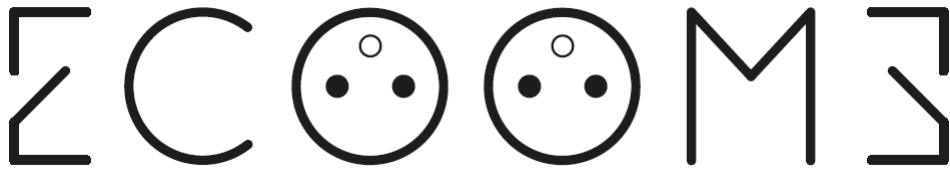
**230V touchless dimmers** dim incandescent, halogen, LED and other energy saving lamps, including most of the officially “non-dimmable” models. No need to buy the expensive “dimmable” models. No compatibility issues any more. Superior dimming performance.

**12-24VDC low voltage dimmers** dim halogen lamps, LED lamps and LED strips, including hard to dim MR16 and G4 models. They can be controlled by a variety of input devices and home automation systems. We recommend The touchless buttons with a 0-10V output. High safety level and superior dimming performance.



Σ C ◯ ◯ M Σ



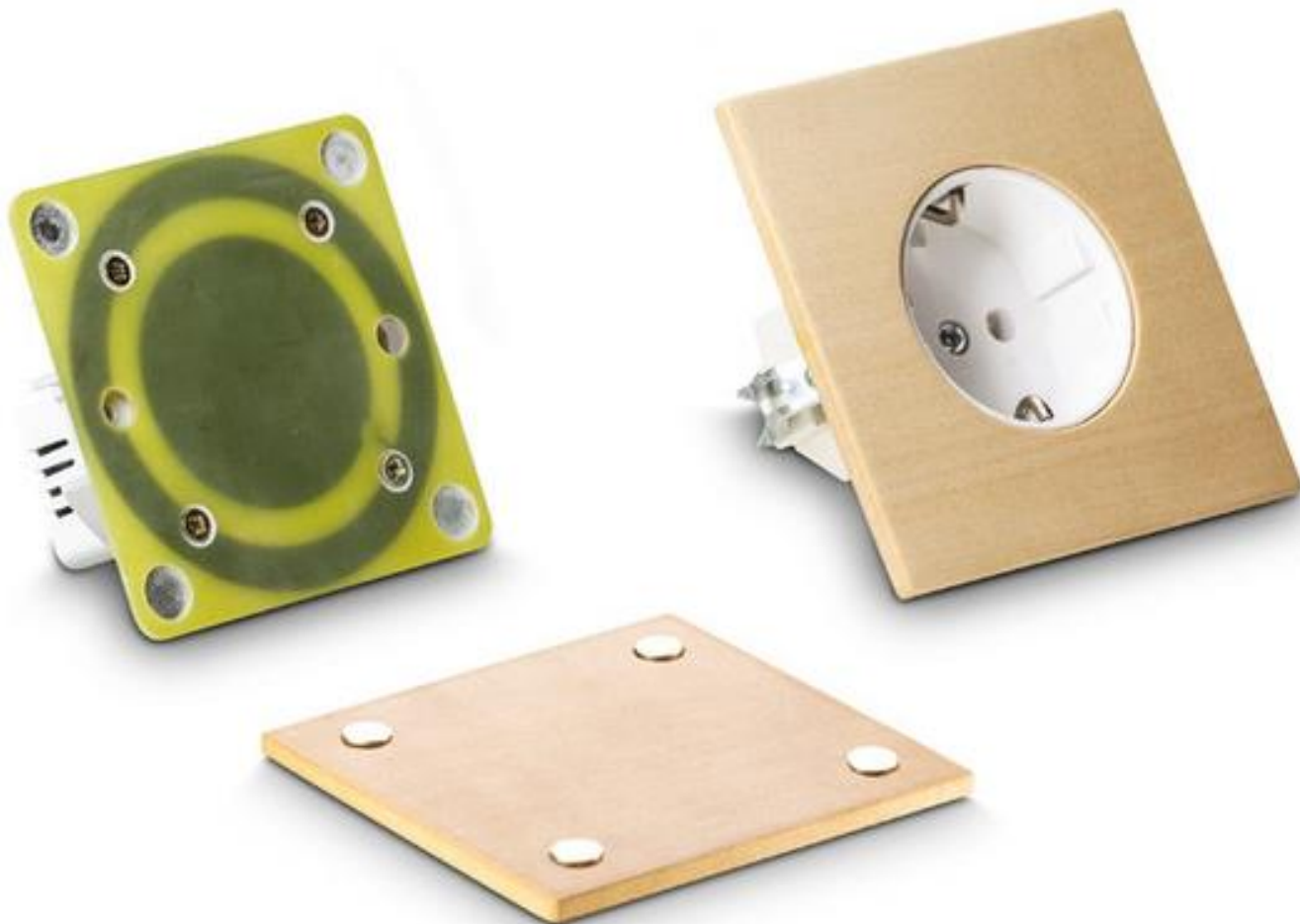


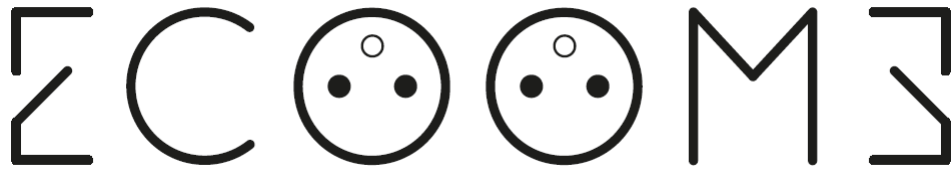
## MODELS RATED FOR 240V / 50HZ AC LINE VOLTAGE:

Model	SWTAE2400R	SWTAD300	SWTAES
<b>Function</b>	Touchless switch	Touchless universal dimmer	Touchless remote/slave
<b>Rated load</b>	Up to 2400W relay output	Up to 300W incandescent load, up to 100W CFL or LED lamps.	N/A
<b>Detection range</b>	Adjustable 2-10cm		
<b>Mounting</b>	60mm standard wallbox		
<b>Wire connection</b>	Screw terminals for wires up to 2,5mm <sup>2</sup>		
<b>Note:</b>	Needs neutral wire connection	Two distinct modes, with or without the neutral wire	Use with AE-2400R or AD-300 for multi-location installation



Σ C ◯ ◯ M Σ





## Example of installation: SWTAE2400R

### Important notes

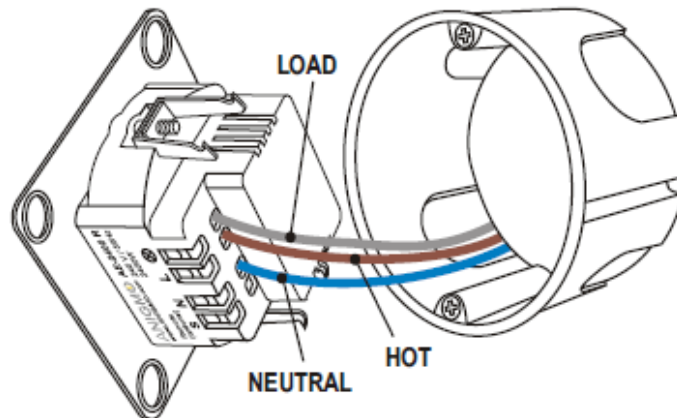
#### CAUTION:

1. Read and understand these instructions before installing device. Before installing this unit, disconnect power at circuit breaker or remove fuse to avoid shock or damage to the unit. This device is intended for installation with local regulations. It is recommended that a qualified electrician perform this operation
2. Do not install in combination with standard 3-Way switches or third party remote (slave) unit. Use only in combination with Anigmo AE-S remote (slave) unit.
3. Installation of this switch in proximity of strong EM interference such as (and not limited to) electrical welding machines, inadequately shielded power supplies, radars etc. could cause inadvertent switch activity.
4. This switch may not be used in any application in which the inadvertently changing the switch state could create a situation where personal injury, death or property damage may occur.
5. This unit requires a neutral connection
6. Do not exceed maximal rated current of the unit

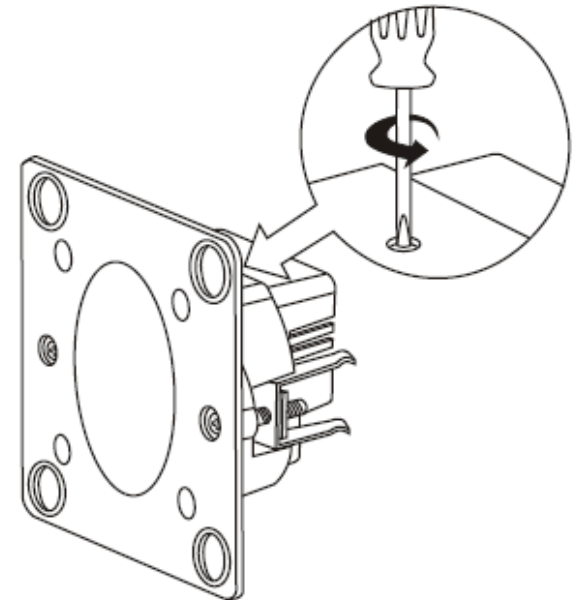
1. **WARNING:** Turn power OFF at circuit breaker or remove the fuse



2. Connect wires as shown. Refer to wiring diagrams.



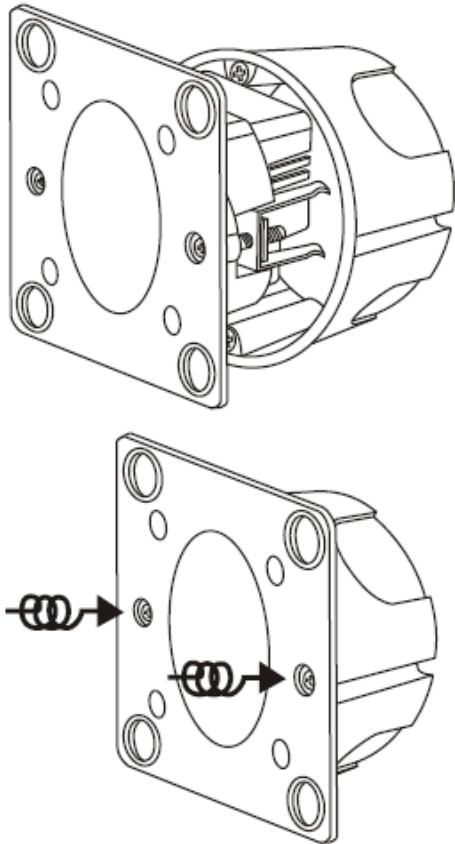
3. Before installing the unit into a wallbox, set the desired sensor range if needed.  
**NOTE:** The unit is supplied with its sensing range set to maximum ( about 10 cm).



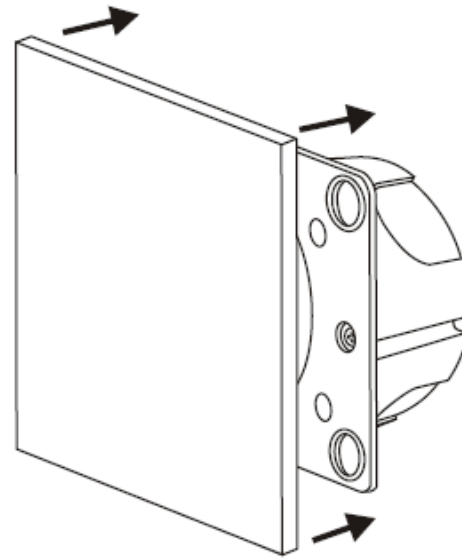
Σ C ◉ ◉ M Σ

## Example of installation: SWTAE2400R

4. Mount the unit into wallbox. Align before tightening the fixing screws



5. Attach decorative switchplate. Align magnets on the back of the switchplate with magnets on the unit and push.

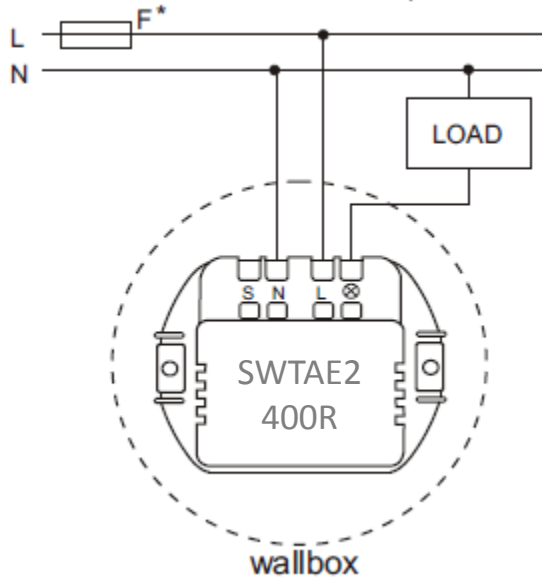


6. Restore power at the circuit breaker

# Σ C O O M Σ

## Example of installation: SWTAE2400R

SINGLE LOCATION CONTROL (one switch controlling one load)



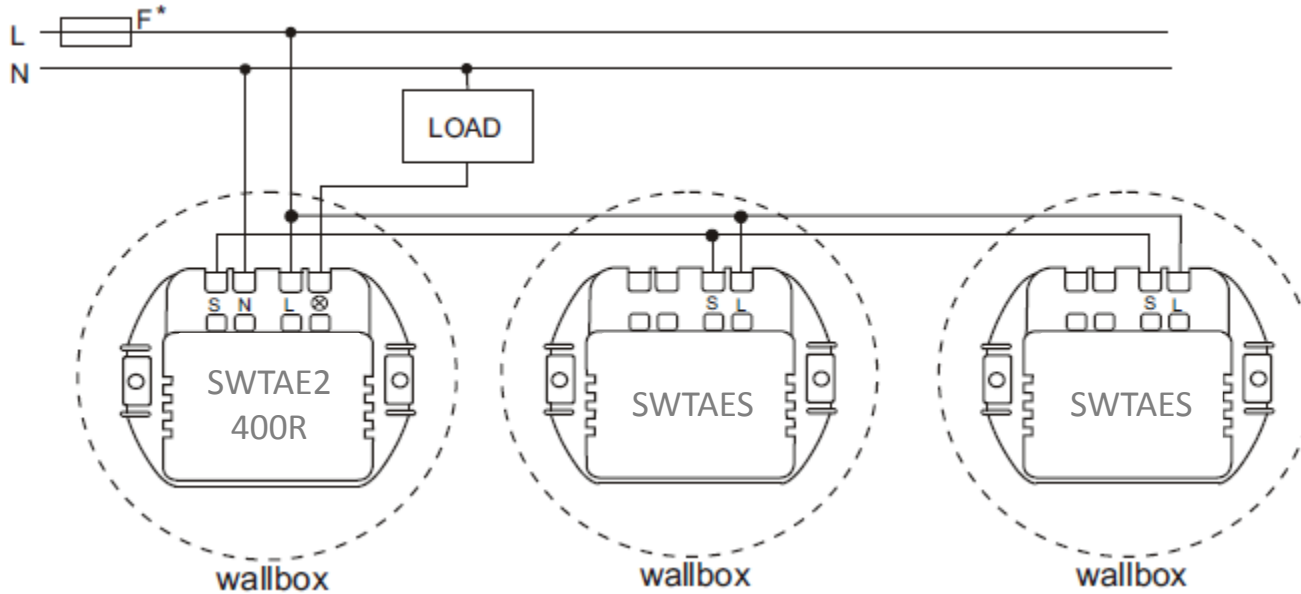
Load rating:  
240V AC / 50Hz  
10A max

\* Connect only to mains  
protected with  
fuse rated 10A or less.

Σ C ◯ ◯ M Σ

## Example of installation: SWTAE2400R

MULTI LOCATION CONTROL (multiple switches controlling one load)



Σ C O O M Σ

ALSO AVAILABLE



... please do not hesitate to visit [www.interrupteur-pour-tous.fr](http://www.interrupteur-pour-tous.fr) to see more



Σ C O O M Σ

[www.interrupteur-pour-tous.fr](http://www.interrupteur-pour-tous.fr)

133a rue de l'école – 67150 Nordhouse – France – [contact@ecoome.fr](mailto:contact@ecoome.fr)